

Surfix® Series

Universal Coating Thickness Gauge: With external, non-switched probe.

The Surfix®-Series is a compact, lightweight, multifunctional fully menu driven coating thickness gauge for fast, precise, non-destructive coating thickness measurement for varnish, paint and electroplated coatings on iron/steel and varnish, paint and anodizing coatings on non-ferrous metals and on austenitic stainless steels.

6 Models: Surfix® FN Surfix® FN basic
 Surfix® F Surfix® F basic
 Surfix® N Surfix® N basic
 basic:
 without memory, statistics, limit values, IR-interface

1 Probe: External, non-switched probe

Measuring Range: 0 – 1500 µm (0 – 60 mils)

Probe

The external, non-switched probe is machined to ultra-high standards and utilizes a unique, hard-metal probe tip which prevents probe wear. The V-notched foot of the probe provides a stable footing even on small cylindrical parts. It can be removed to expose a “micro-probe” sensor perfect to measure on small measuring areas and in cavities.



Features

- Innovative and user-friendly measuring techniques
- Online statistics with all common parameters
- Data transfer to printer or PC via an infrared interface
- The Surfix® FN automatically identifies the substrate and activates the appropriate measuring procedure
- Menu in a choice of different languages ensures easy operation
- The uniform contact pressure of the sensor is minimized, preventing scratches & indentations to sensitive surfaces
- Optional high temperature foot for measuring on surfaces up to 150 °C (302 °F)
- Manufacturer's Certificate and one year warranty included



Surfix®: The ultimate
in portable precision.

Test-Stand (optional)

- Designed for smooth, repeatable measurements for coating thickness applications
- Spring-loaded lever for fast, precise travel
- Compact size and light weight makes it the ideal test stand for all workplaces



PHYNIX 

Physikalische Oberflächen-Messtechnik
Physical Surface Testing Technology

Specifications

for SurfFix® with FN probe

Measuring principle:

Magnetic induction principle (F-Mode) for ferrous metals
Eddy-current principle (N-Mode) for non-ferrous metals
FN-Mode for all metals

Range:

0 – 1500 µm (0 – 60 mils)

Accuracy:

± (1 µm / 0.04 mils + 1 % of reading)

Resolution:

0.1 µm / 0.004 mils or < 0.2 % of reading

Display:

Backlight, 4-digit alphanumeric, height 10 mm (0.4")

Calibration:

Factory-, zero- and foil-calibration
Offset-function: addition/subtraction of a constant value

Memory:

Max. 200 readings

Statistics Program:

Number of readings, mean value, standard deviation,
max. and min. reading (up to 10000 readings)

Data Output:

Infrared interface

Operating Temperature:

0°C to +50°C / 32°F to 122°F

Surface Temperature:

-15°C to +60°C / 5°F to 140°F (standard)
-15°C to +150°C / 5°F to 302°F (with optional foot)

Power:

2 AA, 1.5V

Dimensions:

137 mm x 66 mm x 23 mm (5.4" x 2.6" x 0.9")

Weight:

205 g (7.2 oz) incl. batteries

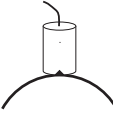
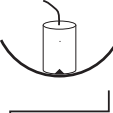
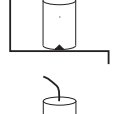
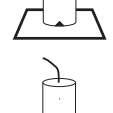

Protection Class:

IP 52 (proof against dust and dripping water)

Standards:

DIN, ISO, ASTM, BS

Measuring Limits

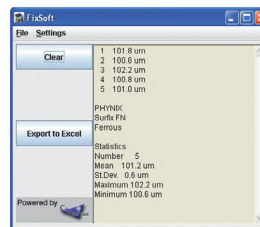
	Minimum Radius for Convex Surfaces	1.5 mm (0.06")
	Minimum Radius for Concave Surfaces	5 mm (0.2")
	Minimum Headroom	100 mm (4")
	Minimum Measuring Area	5 mm x 5 mm (0.2" x 0.2")
	Minimum Substrate Thickness – F Minimum Substrate Thickness – N	0.2 mm (8 mils) 50 µm (2 mils)

Printer PrintFix (optional)

Portable thermal-printer with an integrated infrared interface for wireless data transfer. It can print values stored in the SurfFix® gauge quickly and reliably locally or later in the office.



Software FixSoft (optional)



Transfer program for SurfFix® gauge. The measurement values are transferred in a pre-compiled template for spreadsheet programs together with a histogram and a trend presentation.

Delivery Schedule

SurfFix® for FN version: Gauge incl. probe, 2 calibration foils, ferrous and non-ferrous zero plate, 2 AA batteries, manual and manufacturer's certificate; all in a rugged plastic carrying case. Carrying pouch optional.



PHYNIX



Physikalische Oberflächen-Messtechnik
Physical Surface Testing Technology

PHYNIX GmbH & Co. KG

Alexe-Altenkirch-Straße 3

50739 Köln, Germany

Phone +49(0)221/17964-30

info@phynix.de

Fax +49(0)221/17964-35

www.phynix.de