

# PLE SERIES

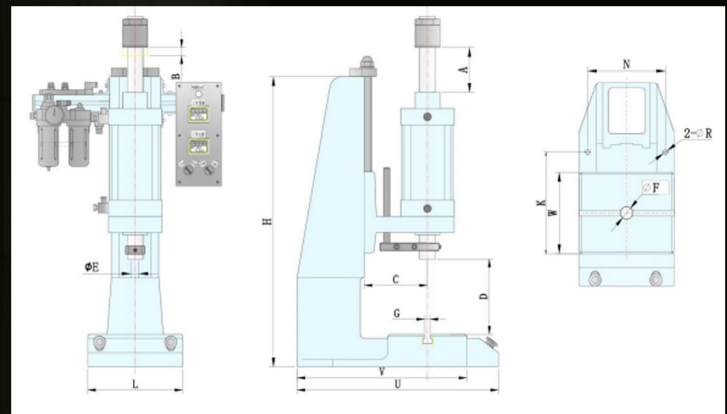
## Pneumatic Press



**The machine base is formed by integral casting, with good rigidity and high strength**

### Product Features

- The machine base adopts integral casting processing and molding, which has good rigidity and high strength.
- The machine head and machine base are connected by high-rigidity rectangular guide rails, which have large carrying capacity and good guiding precision.
- Stroke and head height are fully adjustable, convenient and quick to install and debug.
- Equipped with an anti-rotation mechanism to prevent the pressure head from rotating and ensure accurate positioning of the guide.
- The user can adjust the up and down speed of the cylinder according to the requirements of the workpiece to be processed.
- It can record the working times and set the pressure holding time, and can realize manual and automatic mode conversion.
- The control system is controlled by two-hand buttons or foot switches, and the user can choose one of them.
- Example of order code: PLE-5-100-10-M/F  
 PLE→product model 5→working pressure 100→total stroke 10→adjustable stroke M/F→ M: two-hand button F: foot switch  
 [The working pressure of this press ranges from the minimum 50KG to 6T, please refer to the data table below for details. ]
- Product parameters



Product number	work pressure	work pressure	A	B	L×W	C	D.	E.	f	U×V×H	T-slot width	weight
			total travel	Adjustable stroke	Table size	Spindle span	height adjustment	Mounting aperture	Mesa Aperture	Dimensions		
			MM	MM	MM	MM	MM	MM	MM	MM		
PLE-0.5-75-10-M/F	0.5	50	75	10	110*80	65	0-145	12H7*30	Φ20	260*110*350	8	17
PLE-0.8-75-10-M/F	0.8	80	75	10	110*80	65	0-145	12H7*30	Φ20	260*110*350	8	17
PLE-1.3-75-10-M/F	1.3	130	75	10	110*80	65	20-170	12H7*30	Φ20	260*110*350	8	18
PLE-2-100-10-M/F	2	200	100	10	150*110	86	80-230	12H7*30	Φ20	330*150*450	10	27
PLE-3-100-10-M/F	3	300	100	10	185*115	86	80-330	16H7*40	Φ20	330*150*560	10	35
PLE-5-100-10-M/F	5	500	100	10	185*115	86	80-330	16H7*40	Φ20	330*150*560	10	37
PLE-8-100-10-M/F	8	800	100	10	240*200	160	145-385	20H7*40	Φ30	480*200*680	14	77
PLE-14-100-10-M/F	14	1400	100	10	240*200	160	125-360	25H7*40	Φ30	480*200*680	14	87
PLE-20-100-10-M/F	20	2000	100	10	300*250	200	160-400	25H7*40	Φ40	570*240*740	14	125
PLE-27-100-NM/F	27	2700	100	0	240*200	160	125-360	25H7*40	Φ30	480*200*740	14	125
PLE-40-100-NM/F	40	4000	100	0	300*250	200	160-400	25H7*40	Φ40	570*240*740	14	145
PLE-60-100-NM/F	60	6000	100	0	300*250	200	140-370	25H7*40	Φ40	590*260*740	14	155

The order model has the letter "N", indicating that the product of this model has no stroke adjustment mechanism; models below 5KN have no screw rod adjustment mechanism.



LINE : @ITOKIN2000  
 TEL : 02-9744354-6  
 EMAIL : SALESITOKIN@GMAIL.COM